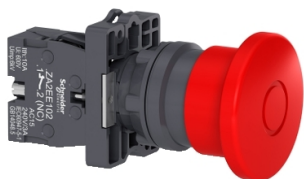


# Bảng thông số sản phẩm

Thông số kỹ thuật



Complete emergency switching off push button, Easy Harmony XA2, plastic, red mushroom 40mm, 22mm, push pull, 1NC

XA2ET42

## Main

Range of product	Easy Harmony XA2
product or component type	Complete emergency switching off push-button
Device short name	XA2
Bezel material	Plastic
Mounting diameter	22.5 mm

## Complementary

Operating position	Any position
Device mounting	Fixing hole - diameter: 22 mm
Fixing center	>= 30 x 40 mm (panel) - thickness: 1...5 mm
Shape of signaling unit head	Round
Type of operator	push-pull
Reset	Push-pull
Operator profile	Red mushroom Ø 40 mm
Cap/operator or lens colour	Red
Contacts type and composition	1 NC
Contact operation	Slow-break
Positive opening	With NC contact
Mechanical durability	100000 cycles
Connections - terminals	Screw clamp terminal, <= 2 x 1.5 mm <sup>2</sup> Screw clamp terminal, <= 1 x 2.5 mm <sup>2</sup> Screw clamp terminal, >= 1 x 0.5 mm <sup>2</sup> Faston terminals, connection size: 6.3 mm
Tightening torque	0.8 N.m
Short-circuit protection	10 A gL fuse conforming to IEC 60269-1
[Ui] rated insulation voltage	600 V conforming to IEC 60947-1
[Uimp] rated impulse withstand voltage	6 kV conforming to IEC 60947-1
[Ie] rated operational current	3 A at 240 V, AC-15, A600 0.27 A at 250 V, DC-13, Q600
Electrical durability	500000 cycles, AC-15, 3 A at 230 V, operating rate <60 cyc/mn, load factor: 0.5 conforming to IEC 60947-5-4 500000 cycles, DC-13, 0.2 A at 110 V, operating rate <60 cyc/mn, load factor: 0.5 conforming to IEC 60947-5-4
Electrical reliability	$\Lambda < 10\exp(-8)$ at 24 V

<b>Height</b>	30 mm
<b>Width</b>	42 mm
<b>Depth</b>	74.2 mm
<b>net weight</b>	0.088 kg
<b>Type of operator</b>	Mechanical latching

## Environment

<b>protective treatment</b>	TC
<b>Ambient air temperature for storage</b>	-40...70 °C
<b>Ambient air temperature for operation</b>	-25...55 °C
<b>Overvoltage category</b>	Class I conforming to IEC 536
<b>IP degree of protection</b>	IP65 conforming to IEC 60068-2-27
<b>IK degree of protection</b>	IK03
<b>Standards</b>	GB 14048.5 IEC 60947-1 IEC 60947-5-1 GB 14048.1 IEC 60529
<b>Product certifications</b>	CE CCC
<b>Vibration resistance</b>	10 gn (f= 40...500 Hz) conforming to IEC 60068-2-6
<b>Shock resistance</b>	70 gn (duration = 11 ms) for half sine wave acceleration conforming to IEC 60068-2-27

## Packing Units

<b>Unit Type of Package 1</b>	PCE
<b>Number of Units in Package 1</b>	1
<b>Package 1 Height</b>	2.988 cm
<b>Package 1 Width</b>	3.855 cm
<b>Package 1 Length</b>	5.383 cm
<b>Package 1 Weight</b>	91 g
<b>Unit Type of Package 2</b>	S02
<b>Number of Units in Package 2</b>	70
<b>Package 2 Height</b>	15 cm
<b>Package 2 Width</b>	30 cm
<b>Package 2 Length</b>	40 cm
<b>Package 2 Weight</b>	6.381 kg
<b>Unit Type of Package 3</b>	PAL
<b>Number of Units in Package 3</b>	1400
<b>Package 3 Height</b>	60 cm
<b>Package 3 Width</b>	80 cm
<b>Package 3 Length</b>	90 cm
<b>Package 3 Weight</b>	124.74 kg

## Bền vững

Nhãn **Green Premium™** là cam kết của Schneider Electric trong việc cung cấp sản phẩm với hiệu suất môi trường tốt nhất. Green Premium cam kết tuân thủ các quy định mới nhất, minh bạch về tác động môi trường, cũng như các sản phẩm tuần hoàn và CO<sub>2</sub> thấp.

**Hướng dẫn đánh giá tính bền vững của sản phẩm** là tài liệu kỹ thuật phổ thông giúp làm rõ các tiêu chuẩn nhãn sinh thái toàn cầu và cách diễn giải việc khai báo môi trường.

[Tìm hiểu thêm về Green Premium >](#)

[Hướng dẫn đánh giá về sự bền vững của sản phẩm >](#)

## Hiệu suất sức khỏe

Reach Free Of Svhc

Mercury Free

Rohs Exemption Information [Yes](#)

**Reach Regulation** [REACH Declaration](#)

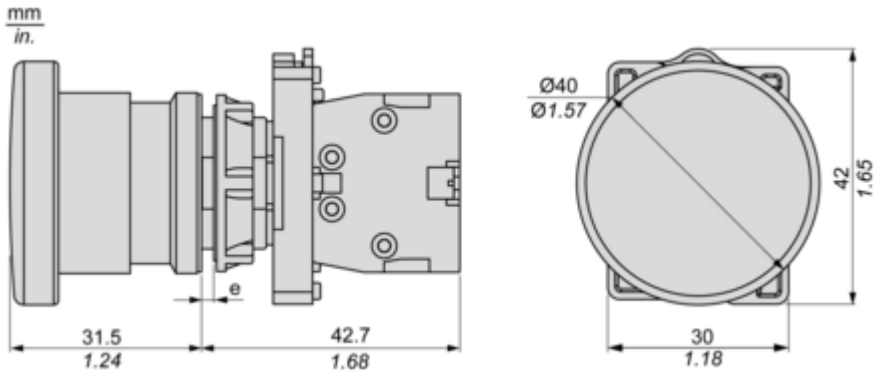
**Eu Rohs Directive** Pro-active compliance (Product out of EU RoHS legal scope)  
[EU RoHS Declaration](#)

**China Rohs Regulation** [China RoHS declaration](#)

**Weee** The product must be disposed on European Union markets following specific waste collection and never end up in rubbish bins

**Dimensions**

---

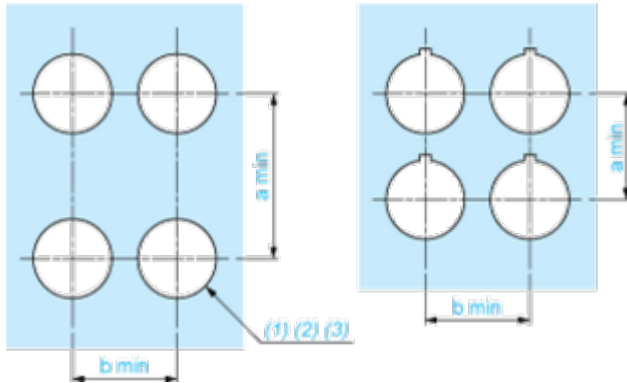


(e) Clamping thickness: 1 to 6 mm / 0.04 to 0.24 in.

## Mounting and Clearance

### Panel Cut-out for Pushbuttons, Switches and Pilot Lights (Finished Holes, Ready for Installation)

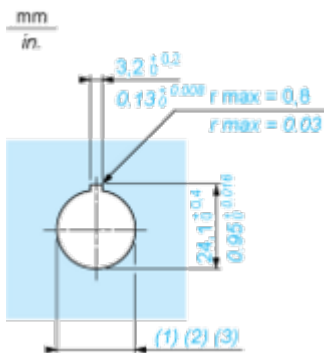
#### Connection by Screw Clamp Terminals



- (1) Diameter on finished panel or support
- (2) For selector switches and Emergency stop buttons, use of an anti-rotation plate type ZB5AZ902 is recommended.
- (3)  $\varnothing 22.5$  mm recommended ( $\varnothing 22.3_0^{+0.4}$ ) /  $\varnothing 0.89$  in. recommended ( $\varnothing 0.88$  in.  $_0^{+0.016}$ )

Connections	a in mm	a in in.	b in mm	b in in.
By screw clamp terminals connector	40	1.57	30	1.18
By Faston connectors	45	1.77	32	1.26

#### Detail of Lug Recess



- (1) Diameter on finished panel or support
- (2) For selector switches and Emergency stop buttons, use of an anti-rotation plate type ZB5AZ902 is recommended.
- (3)  $\varnothing 22.5$  mm recommended ( $\varnothing 22.3_0^{+0.4}$ ) /  $\varnothing 0.89$  in. recommended ( $\varnothing 0.88$  in.  $_0^{+0.016}$ )